



MANUAL, ELECTRICAL & PNEUMATIC HOISTS

KÆDE-, SKRALDE-, EL- & LUFT TALJER





LEVER HOIST - MANUAL CHAIN BLOCK - MANUAL CHAIN HOIST - ELECTRICAL CHAIN HOIST - AIR CHAIN HOISTS - MINI AIR CHAIN HOISTS - COMPACT HOISTS - RED ROOSTER
SKRALDETALJE - MANUEL KÆDETALJE - EL-KÆDETALJE - LUFT KÆDETALJER - MINI LUFT KÆDETALJER - KOMPAKTE TALJER - RED ROOSTER

INDEX

- LEVER HOIST - 0,75 - 9,0 TON
- KITO LEVER HOIST - 0,25 - 0,5 TON
- SPARKLESS LEVER HOIST - 0,75 - 6,0 TON
- KITO LEVER HOIST - 0,8 - 9,0 TON
- MANUAL CHAIN HOIST - 0,5 - 20 TON
- MANUAL CHAIN BLOCK - 0,25 - 10 TON
- KITO MANUAL CHAIN HOIST - 0,25 TON
- KITO MANUAL CHAIN HOIST - 0,5 - 3 TON
- KITO MANUAL CHAIN HOIST - 0,5 - 50 TON
- SPARKLESS MANUAL CHAIN HOIST - 0,5 - 16 TON
- HITACHI ELECTRICAL CHAIN HOIST - S & F SERIES
- HITACHI ET-TROLLEY
- HITACHI ELECTRICAL CHAIN HOIST - TWIN HOOK TYPE
- HITACHI LOW HEAD ROOM DESIGN
- ELECTRICAL CHAIN HOIST - 0,25 - 1,0 TON
- ELECTRICAL CHAIN HOIST - 0,25 - 15,0 TON
- PNEUMATIC HOIST - 0,25 - 6,0 TON
- STAGE HOIST - 0,5 - 2,0 TON
- MINI WINCH - 160 - 300 KG
- ELECTRICAL WIRE ROPE WINCH - 100 - 300 KG
- CUBIC WINCH - 200 - 500 KG
- ATV WINCHES - 1360 KG PULL
- SELF-RECOVERY WINCHES - 2722 - 5443 KG PULL
- PUSH TROLLEY - 0,5 - 10 TON
- CHAIN TROLLEY - 0,5 - 10 TON
- CHAIN TROLLEY - 0,5 - 50 TON
- WALL WINCH
- PULLING WINCH
- TIRFOR TU SERIE
- TIRFOR 500 SERIE
- HYDRAULIC & PNEUMATIC - TIRFOR
- THE TIRFOR PRINCIPLE
- BEAM CLAMP
- LIFTING MAGNET
- UNIVERSAL LIFTING CLAMP
- HORIZONTAL LIFTING CLAMP
- HAJO SUPER LIFTING CLAMP

INDHOLDSFORTEGNELSE

- SKRALDETALJE - 0,75 - 9,0 TON
- KITO SKRALDETALJE - 0,25 - 0,5 TON
- GNISTFRI SKRALDETALJE - 0,75 - 6,0 TON
- KITO SKRALDETALJE - 0,8 - 9,0 TON
- MANUEL KÆDETALJE - 0,5 - 20 TON
- HÅNDKÆDETALJE - 0,25 - 10 TON
- KITO MANUEL KÆDETALJE - 0,25 TON
- KITO MANUEL KÆDETALJE - 0,25 - 3 TON
- KITO MANUEL KÆDETALJE - 0,5 - 50 TON
- GNISTFRI MANUEL KÆDETALJE - 0,5 - 16 TON
- HITACHI ELEKTRISK KÆDETALJE - S & F SERIEN
- HITACHI ET-LØBEKAT
- HITACHI ELEKTRISK KÆDE TALJE - TADNDEM TALJE
- HITACHI LAV INDBYGNINGS MODEL
- EL-KÆDE TALJE 0,25 - 1,0 TON
- EL-KÆDE TALJE 0,25 - 15,0 TON
- PNEUMATISK TALJE - 0,25 - 6,0 TON
- SCENETALJE - 0,5 - 1,0 TON
- MINI SPIL - 160 - 300 KG
- ELEKTRISK WIRE SPIL - 100 - 300 KG
- EL-SPIL - 200 - 500 KG
- ATV SPIL - 1360 KG TRÆK
- TRÆKSPIL - 2722 - 5443 KG TRÆK
- LØBEKAT - TIL SKUB 0,5 - 10 TON
- LØBEKAT - HÅNDKÆDE FREMFØRT 0,5 - 10 TON
- LØBEKAT - HÅNDKÆDE FREMFØRT 0,5 - 50 TON
- VÆGSPIL
- TRÆKSPIL
- TIRFOR TU SERIE
- TIRFOR 500 SERIE
- HYDRAULISK & PNEUMATIK - TIRFOR
- TIRFOR PRINCIPPET
- BJÆLKEKLO
- LØFTEMAGNET
- UNIVERSAL LØFTEKLO
- HORIZONTAL LØFTEKLO
- HAJO SUPER LØFTEKLO



LEVER HOIST - MANUAL CHAIN BLOCK - MANUAL CHAIN HOIST - ELECTRICAL CHAIN HOIST - AIR CHAIN HOISTS - MINI AIR CHAIN HOISTS - COMPACT HOISTS - RED ROOSTER
 SKRALDETALJE - MANUEL KÆDETALJE - EL-KÆDETALJE - LUFT KÆDETALJER - MINI LUFT KÆDETALJER - KOMPAKTE TALJER - RED ROOSTER

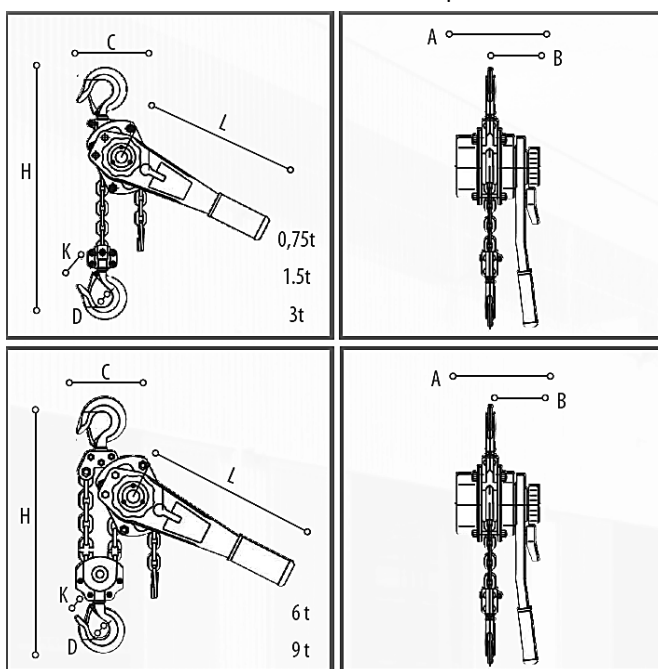
LEVER HOIST

- Innovated load chain guide system, that ensures well aligned load chain movement
- Optimized gearing that requires minimum operating effort
- Optional overload protection
- 3 mtr. Chain is optional



SKRALDETALJE

- Innovativ lastkæde guidnings system, der sikrer lastkæden en naturlig bevægelse
- Optimeret gearing, så man skal bruge minimalt med kræfter ved brug
- Overbelastnings beskyttelse som option
- 3 mtr. Kæde som option



| Art. No. | WLL ton | Color | Standard lift m | Chain Ø mm |
|------------|---------|--------|-----------------|------------|
| 07 01 0001 | 0,25 | Chrome | 1 | 4 |
| 07 01 0002 | 0,5 | Chrome | 1,5 | 5 |
| 07 01 0003 | 0,75 | Yellow | 1,5 | 6 |
| 07 01 0004 | 1,5 | Yellow | 1,5 | 8 |
| 07 01 0005 | 3 | Yellow | 1,5 | 10 |
| 07 01 0006 | 6 | Yellow | 1,5 | 10 |
| 07 01 0007 | 9 | Yellow | 1,5 | 10 |

| WLL ton | Dimension mm | | | | | | | Weight kg |
|---------|--------------|-----|-----|----|-----|-----|----|-----------|
| | A | B | C | D | H | L | K | |
| 0,25 | 92 | 72 | 85 | 30 | 230 | 160 | 25 | 2,21 |
| 0,5 | 105 | 78 | 80 | 35 | 260 | 300 | 30 | 4,78 |
| 0,75 | 148 | 90 | 136 | 40 | 320 | 280 | 34 | 9,9 |
| 1,5 | 172 | 98 | 160 | 45 | 380 | 410 | 38 | 13,6 |
| 3 | 200 | 115 | 180 | 58 | 480 | 410 | 48 | 24,3 |
| 6 | 200 | 115 | 235 | 64 | 600 | 410 | 52 | 37,6 |
| 9 | 200 | 115 | 320 | 85 | 700 | 410 | 58 | 55,9 |



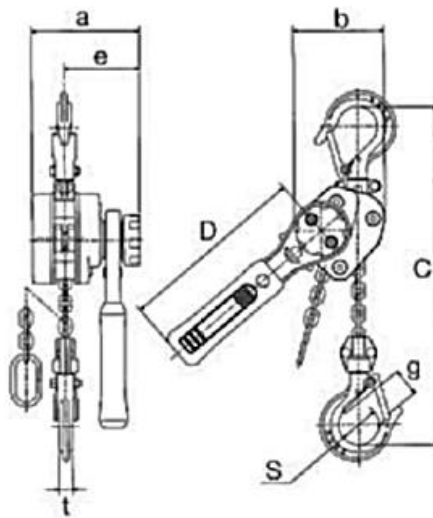
KITO LEVER HOIST

- Light model
- Low installation height
- Chain grade 100
- 1 meter lift for 250kg,
1,2meter for 500kg
- Compact Construction



KITO SKRALDETALJE

- Let model
- Lav installations højde
- Kæde Klasse 100
- 1 meter løft ved 250g,
1,2meter løft ved 500kg
- Kompakt Konstruktion



| Art. No. | Capacity ton | Chain pull to lift full load kg | Test load ton | Weight kg |
|------------|--------------|---------------------------------|---------------|-----------|
| 07 02 0001 | 0,25 | 20 | 0,38 | 1,6 |
| 07 02 0002 | 0,50 | 31 | 0,75 | 2,6 |

| Capacity ton | a mm | b mm | C mm | D mm | e mm | g mm | s mm | t mm |
|--------------|------|------|------|------|------|------|------|------|
| 0,25 | 88 | 73,5 | 205 | 150 | 62 | 21 | 32 | 11 |
| 0,50 | 100 | 93 | 246 | 180 | 68 | 24,5 | 35,5 | 12 |



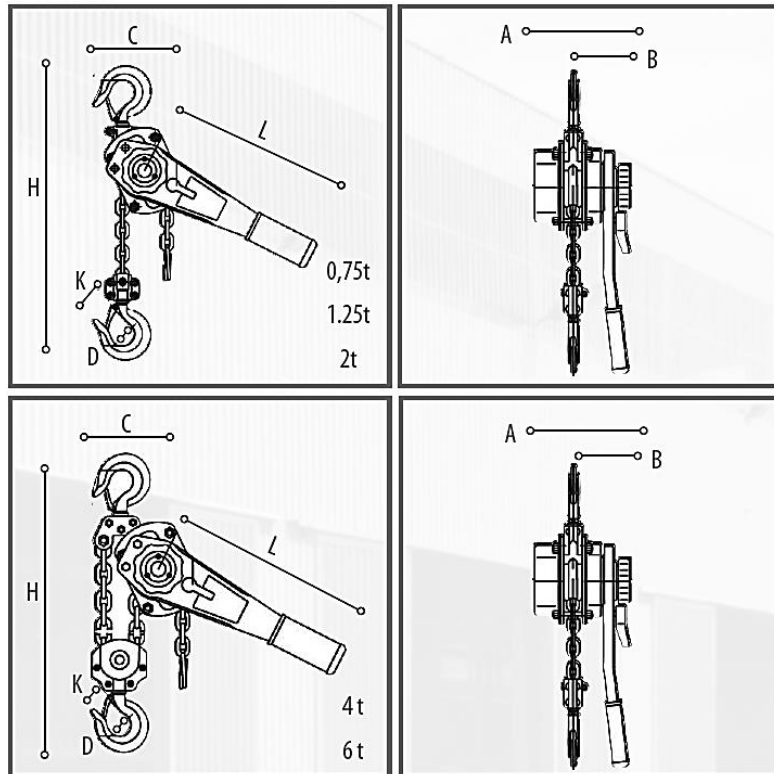
LEVER HOIST - MANUAL CHAIN BLOCK - MANUAL CHAIN HOIST - ELECTRICAL CHAIN HOIST - AIR CHAIN HOISTS - MINI AIR CHAIN HOISTS - COMPACT HOISTS - RED ROOSTER
 SKRALDETALJE - MANUEL KÆDETALJE - EL-KÆDETALJE - LUFT KÆDETALJER - MINI LUFT KÆDETALJER - KOMPAKTE TALJER - RED ROOSTER

SPARKLESS LEVER HOIST

- Suitable for potentially hazard environments
- Robust and compact design
- Ergonomic lever
- Chromed hard wheel
- Drop - forged and heat threaded hooks
- Overload protection
- CE - marked

GNISTFRI SKRALDETALJE

- Velegnet til potentielt farlige miljøer
- Robust og kompakt design
- Ergonomisk håndtag
- Forkrommet hjul
- Støbte og varmebehandlet kroge
- Beskyttelse mod overbelastning
- CE - mærket



| Art. No. Art. No. | WLL ton | Chain Ø mm | Std. lift mtr. | Chain Fall | Dimension in mm | | | | | | | Weight kg |
|----------------------|------------|---------------|----------------|------------|-----------------|-----|-----|----|-----|-----|----|--------------|
| | | | | | A | B | C | D | H | L | K | |
| 07 08 0001 | 0,75 | 6 | 3 | 1 | 155 | 95 | 135 | 37 | 320 | 285 | 30 | 10,1 |
| 07 08 0002 | 1,25 | 8 | 3 | 1 | 180 | 105 | 155 | 45 | 380 | 370 | 36 | 16 |
| 07 08 0003 | 2 | 10 | 3 | 1 | 215 | 130 | 200 | 50 | 480 | 410 | 40 | 27,6 |
| 07 08 0004 | 4 | 10 | 3 | 2 | 215 | 130 | 200 | 64 | 600 | 410 | 50 | 45,2 |
| 07 08 0005 | 6 | 10 | 3 | 3 | 215 | 130 | 200 | 85 | 700 | 410 | 58 | 66,8 |



LEVER HOIST - MANUAL CHAIN BLOCK - MANUAL CHAIN HOIST - ELECTRICAL CHAIN HOIST - AIR CHAIN HOISTS - MINI AIR CHAIN HOISTS - COMPACT HOISTS - RED ROOSTER
 SKRALDETALJE - MANUEL KÆDETALJE - EL-KÆDETALJE - LUFT KÆDETALJER - MINI LUFT KÆDETALJER - KOMPAKTE TALJER - RED ROOSTER

KITO LEVER HOIST

- Easy to handle
- Low installation height
- Chain grade 100
- Solid compact construction of alloy steel
- Standard lift 1,5 meter

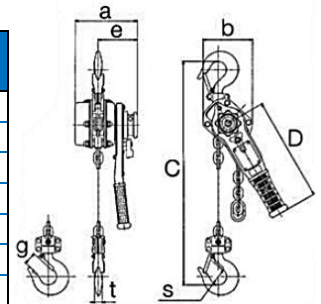
KITO SKRALDETALJE

- Let at håndtere
- Lav installations højde
- Kæde klasse 100
- Solid og kompakt konstruktion af legeret stål
- Standard løft 1,5 meter



| Art. No. | Capacity ton | Lever pull to lift full load - kg | Test load ton | Weight kg |
|------------|--------------|-----------------------------------|---------------|-----------|
| 07 03 0001 | 0,8 | 29 | 1,2 | 5,7 |
| 07 03 0002 | 1,0 | 36 | 1,5 | 5,9 |
| 07 03 0003 | 1,6 | 34 | 2,4 | 8,0 |
| 07 03 0004 | 2,5 | 37 | 3,8 | 11,2 |
| 07 03 0005 | 3,2 | 37 | 4,8 | 15,0 |
| 07 03 0006 | 6,3 | 38 | 7,9 | 26,0 |
| 07 03 0007 | 9,0 | 39 | 11,3 | 40,0 |

| Capacity ton | A mm | B mm | C mm | D mm | e mm | g mm | s mm | t mm |
|--------------|------|------|------|------|------|------|------|------|
| 0,8 | 144 | 119 | 280 | 245 | 97 | 23,5 | 35,5 | 14 |
| 1,0 | 144 | 119 | 300 | 245 | 97 | 29 | 42,5 | 15 |
| 1,6 | 159 | 126 | 335 | 265 | 100 | 32 | 42,5 | 19 |
| 2,5 | 173 | 150 | 375 | 265 | 102 | 36,5 | 47 | 21 |
| 3,2 | 190 | 159 | 395 | 415 | 112 | 39 | 50 | 24,5 |
| 6,3 | 190 | 217 | 540 | 415 | 112 | 50 | 60 | 34 |
| 9,0 | 190 | 304 | 680 | 415 | 112 | 72,5 | 85 | 41,5 |





LEVER HOIST - MANUAL CHAIN BLOCK - MANUAL CHAIN HOIST - ELECTRICAL CHAIN HOIST - AIR CHAIN HOISTS - MINI AIR CHAIN HOISTS - COMPACT HOISTS - RED ROOSTER
 SKRALDETALJE - MANUEL KÆDETALJE - EL-KÆDETALJE - LUFT KÆDETALJER - MINI LUFT KÆDETALJER - KOMPAKTE TALJER - RED ROOSTER

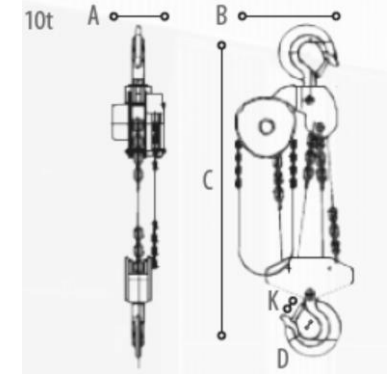
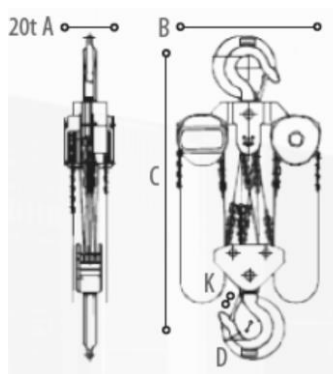
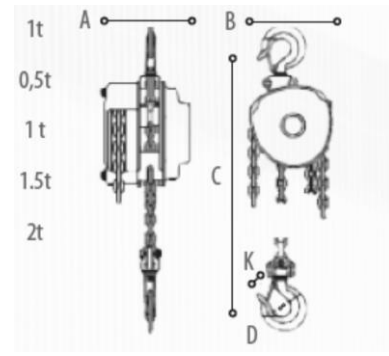
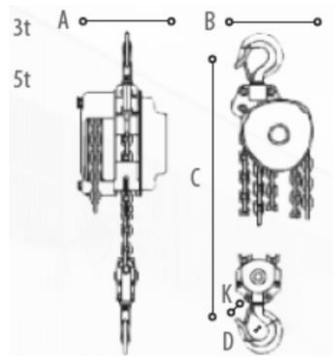
MANUAL CHAIN HOIST

- Gear case and hand wheel cover made of extra thick steel. Perfectly shaped to maintain bearing alignment and endure external shock.
- Double enclosure to keep out water and dust.
- Braking mechanism enclosed in a double cover.
- Enhanced quality bearings for drive pinion, load chain sheave and gearbox.
- Load hook made of high quality alloy steel, drop forged and heat treated.
- Optional overload protection!



MANUEL KÆDETALJE

- Gearkasse og håndhjul cover er lavet i ekstra tykt stål. Formet, så lejerne bliver hvor de skal og så den kan modstå udefra stød
- Double pakning for at undgå vand og støv
- Bremsen sidder bag et dobbelt cover
- Forstærket kvalitets lejer til tandhjulet, lastekædens skive og gearkassen
- Lastekrog af høj-kvalitets stål, som er smedet og varmebehandlet
- Som option, overlaster beskyttelse!



| Art. No. | WLL ton | Chain Ø mm | Std. Lift mtr. | Chain Fall | Dimension in mm | | | | | Weight kg |
|------------|---------|------------|----------------|------------|-----------------|-----|-----|------|----|-----------|
| | | | | | A | B | C | D | K | |
| 07 04 0001 | 0,5 | 6 | 3 | 1 | 113 | 127 | 270 | 35 | 30 | 10 |
| 07 04 0002 | 1 | 6 | 3 | 1 | 140 | 158 | 317 | 35,5 | 28 | 12 |
| 07 04 0003 | 1,5 | 8 | 3 | 1 | 161 | 174 | 399 | 45 | 32 | 19 |
| 07 04 0004 | 2 | 8 | 3 | 1 | 161 | 187 | 414 | 45 | 32 | 20 |
| 07 04 0005 | 3 | 8 | 3 | 2 | 161 | 199 | 465 | 50 | 40 | 27 |
| 07 04 0006 | 5 | 10 | 3 | 2 | 186 | 253 | 636 | 64 | 50 | 45,5 |
| 07 04 0007 | 10 | 10 | 3 | 4 | 207 | 398 | 798 | 85 | 64 | 83 |
| 07 04 0008 | 20 | 10 | 3 | 8 | 215 | 650 | 890 | 110 | 85 | 193 |



KITO MANUAL CHAIN HOIST

- Light model
- Low installation height
- Chain grade 100
- Tested with 50% overload
- Compact construction

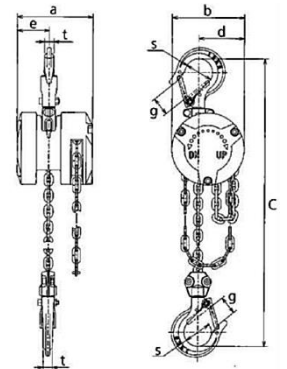
KITO MANUEL KÆDETALJE

- Let model
- Lav installations højde
- Kæde klasse 100
- Testet med 50% overbelastning
- Kompakt konstruktion



| Art. No. | Capacity ton | Chain pull to lift full load kg | Test load ton | Weight kg | Chain parts |
|-------------|--------------|---------------------------------|---------------|-----------|-------------|
| 07 05 00001 | 0,25 | 15 | 0,38 | 2,4 | 1 |

| Capacity ton | Installation Height C mm | a mm | b mm | d mm | e mm | g mm | s mm | t mm |
|--------------|--------------------------|------|------|------|------|------|------|------|
| 0,25 | 217 | 88 | 84 | 53 | 37 | 21 | 32 | 11 |



KITO MANUAL CHAIN HOIST

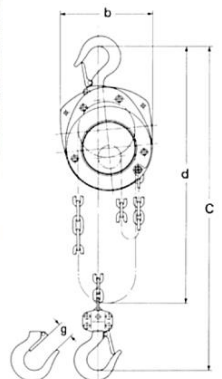
- Light model
- Low installation height
- Chain grade 100
- Tested with 50% overload
- Compact construction
- Standard 3 meter lift

KITO MANUEL KÆDETALJE

- Let model
- Lav installations højde
- Kæde klasse 100
- Testet med 50% overbelastning
- Kompakt konstruktion
- Standard 3 meter løft

| Art. No. | Capacity ton | Chain pull to lift full load kg | Test load ton | Weight kg | Chain parts |
|------------|--------------|---------------------------------|---------------|-----------|-------------|
| 07 06 0001 | 0,5 | 30 | 0,75 | 10 | 1 |
| 07 06 0002 | 1,0 | 36 | 1,50 | 12 | 1 |
| 07 06 0003 | 1,5 | 42 | 2,36 | 17 | 1 |
| 07 06 0004 | 2,0 | 40 | 3,00 | 21 | 2 |
| 07 06 0005 | 3,0 | 46 | 4,75 | 28 | 2 |

| Capacity ton | Installation height C mm | b mm | d mm | g mm |
|--------------|--------------------------|------|------|------|
| 0,5 | 325 | 150 | 2,5 | 27 |
| 1,0 | 370 | 174 | 2,5 | 29 |
| 1,5 | 440 | 203 | 2,5 | 34 |
| 2,0 | 510 | 204 | 3,0 | 36 |
| 3,0 | 590 | 240 | 3,0 | 42,5 |
| 5,0 | 620 | 342 | 3,0 | 46,5 |





LEVER HOIST - MANUAL CHAIN BLOCK - MANUAL CHAIN HOIST - ELECTRICAL CHAIN HOIST - AIR CHAIN HOISTS - MINI AIR CHAIN HOISTS - COMPACT HOISTS - RED ROOSTER
 SKRALDETALJE - MANUEL KÆDETALJE - EL-KÆDETALJE - LUFT KÆDETALJER - MINI LUFT KÆDETALJER - KOMPAKTE TALJER - RED ROOSTER

KITO MANUAL CHAIN HOIST

- Light model
- Low installation height
- Chain grade 100
- Tested with 50% overload
- Standard lift 3 meter

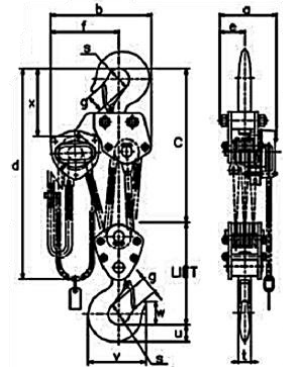
KITO MANUEL KÆDETALJE

- Let model
- Lav installations højde
- Kæde klasse 100
- Testet med 50% overbelastning
- Standard løft 3 meter

| Art. No. | Capacity ton | Applied force at full load kg | Test load t | Weight kg | Chain parts |
|------------|--------------|-------------------------------|-------------|-----------|-------------|
| 07 07 0001 | 0,5 | 24 | 0,75 | 10 | 1 |
| 07 07 0002 | 1 | 29 | 1,5 | 11,5 | 1 |
| 07 07 0003 | 1,5 | 35 | 2,36 | 14,5 | 1 |
| 07 07 0004 | 2 | 36 | 3 | 20 | 1 |
| 07 07 0005 | 2,5 | 33 | 3,75 | 27 | 1 |
| 07 07 0006 | 3 | 36 | 4,75 | 24 | 2 |
| 07 07 0007 | 5 | 34 | 6,3 | 41 | 2 |
| 07 07 0008 | 7,5 | 35 | 9,5 | 63 | 3 |
| 07 07 0009 | 10 | 36 | 12,5 | 83 | 4 |
| 07 07 0010 | 15 | 37 | 20 | 155 | 6 |
| 07 07 0011 | 20 | 36x2 | 25 | 235 | 8 |
| 07 07 0012 | 30 | 43x2 | 40 | 310 | 10 |
| 07 07 0013 | 40 | 43x2 | 50 | 480 | 14 |
| 07 07 0014 | 50 | 49x2 | 60 | 640 | 16 |



| Capacity ton | Installation Height C mm | a mm | b mm | d mm | e mm | f mm | g mm | s mm | t mm | u mm | v mm | w mm | x mm |
|--------------|--------------------------|------|------|------|------|------|------|------|------|------|-------|-------|------|
| 0,5 | 285 | 158 | 161 | 2,5 | 69 | 99 | 27 | 35,5 | 12,1 | 17 | 77 | 35 | 89 |
| 1 | 295 | 162 | 161 | 2,5 | 71 | 99 | 29 | 42,5 | 21,8 | 21,8 | 93 | 41 | 101 |
| 1,5 | 350 | 171 | 182 | 2,5 | 78 | 112 | 34 | 47,5 | 26,5 | 26,5 | 106 | 47 | 119 |
| 2 | 375 | 182 | 202 | 3 | 87 | 125 | 36 | 50 | 30 | 30 | 116 | 49 | 124 |
| 2,5 | 420 | 192 | 233 | 3 | 91 | 143 | 40 | 53 | 33,5 | 33,5 | 126 | 53 | 135 |
| 3 | 510 | 171 | 235 | 3,1 | 78 | 162 | 42,5 | 56 | 37,5 | 37,5 | 138 | 57 | 148 |
| 5 | 600 | 192 | 282 | 3,6 | 91 | 194 | 46,5 | 63 | 47,5 | 47,5 | 161 | 67,5 | 172 |
| 7,5 | 770 | 192 | 373 | 4,2 | 91 | 253 | 72,5 | 85 | 63 | 63 | 231 | 97,5 | 275 |
| 10 | 760 | 192 | 438 | 4,2 | 111 | 308 | 72,5 | 85 | 63 | 63 | 231 | 97,5 | 295 |
| 15 | 1020 | 268 | 492 | 4,7 | 119 | 337 | 80 | 100 | 80 | 80 | 275 | 110 | 320 |
| 20 | 1180 | 374 | 746 | 4,8 | 187 | 373 | 81 | 110 | 90 | 90 | 301 | 125 | 351 |
| 30 | 1300 | 404 | 746 | 4,8 | 202 | 373 | 103 | 125 | 112 | 112 | 367 | 143 | 400 |
| 40 | 1480 | 502 | 760 | 4,9 | 251 | 380 | 96 | 145 | 133 | 133 | 412,5 | 182,5 | 445 |
| 50 | 1560 | 544 | 796 | 4,9 | 272 | 398 | 100 | 165 | 155 | 155 | 447,5 | 202,5 | 467 |





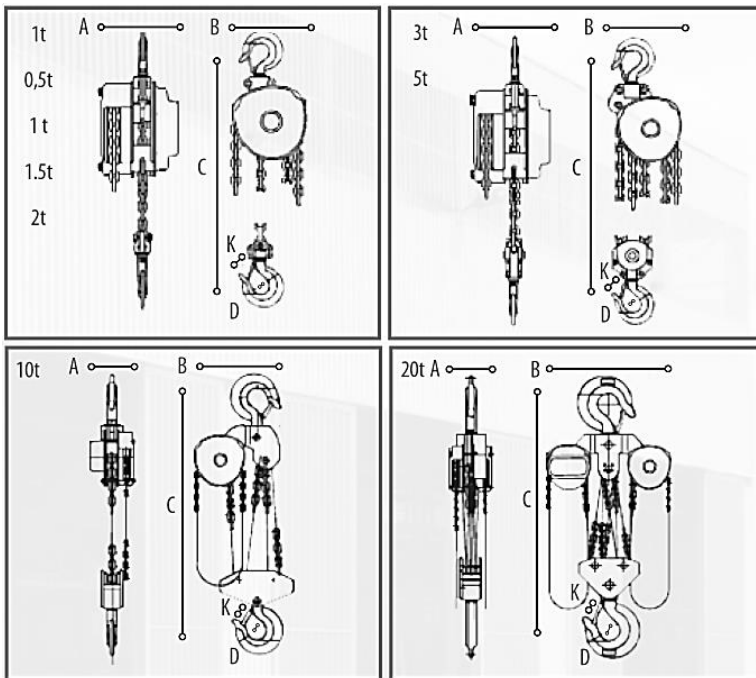
LEVER HOIST - MANUAL CHAIN BLOCK - MANUAL CHAIN HOIST - ELECTRICAL CHAIN HOIST - AIR CHAIN HOISTS - MINI AIR CHAIN HOISTS - COMPACT HOISTS - RED ROOSTER
 SKRALDETALJE - MANUEL KÆDETALJE - EL-KÆDETALJE - LUFT KÆDETALJER - MINI LUFT KÆDETALJER - KOMPAKTE TALJER - RED ROOSTER

SPARKLESS MANUAL CHAIN HOIST

- Suitable for potentially hazardous environment
- Brake system with steel protected shield
- Asbestos-free brake lining
- G80 galvanized chain
- Safe to be used in ATEX zone 1 & zone 2
- ATEX Zone 1 certified, upon request

GNISTFRI MANUEL KÆDETALJE

- Velegnet til potentielt farlige miljøer
- Bremsesystem med stål skjold
- Asbestfri bremses
- G80 galvaniseret kæde
- Sikker at bruge i ATEX zone 1 & zone 2
- ATEX zone 1 certifikat på forespørgelse



| Art. No. | WLL ton | Chain ϕ mm | Std. Lift mtr. | Chain Fall | Dimension in mm | | | | | Weight kg |
|------------|---------|-----------------|----------------|------------|-----------------|-------|------|-----|----|-----------|
| | | | | | A | B | C | D | K | |
| 07 10 0001 | 0,5 | 6 | 3 | 1 | 113 | 125 | 255 | 36 | 30 | 8,5 |
| 07 10 0002 | 0,9 | 6 | 3 | 1 | 126 | 147 | 306 | 40 | 34 | 11 |
| 07 10 0003 | 1,25 | 8 | 3 | 1 | 141 | 183 | 368 | 45 | 38 | 18 |
| 07 10 0004 | 2,5 | 8 | 3 | 2 | 141 | 183 | 486 | 58 | 48 | 27 |
| 07 10 0005 | 4 | 10 | 3 | 2 | 163 | 215 | 616 | 64 | 52 | 42 |
| 07 10 0006 | 8 | 10 | 3 | 4 | 163 | 404,5 | 750 | 85 | 64 | 83 |
| 07 10 0007 | 16 | 10 | 3 | 8 | 191 | 595 | 1000 | 110 | 85 | 193 |



LEVER HOIST - MANUAL CHAIN BLOCK - MANUAL CHAIN HOIST - ELECTRICAL CHAIN HOIST - AIR CHAIN HOISTS - MINI AIR CHAIN HOISTS - COMPACT HOISTS - RED ROOSTER
 SKRALDETALJE - MANUEL KÆDETALJE - EL-KÆDETALJE - LUFT KÆDETALJER - MINI LUFT KÆDETALJER - KOMPAKTE TALJER - RED ROOSTER

HITACHI ELECTRICAL CHAIN HOIST

HITACHI ELEKTRISK KÆDETALJE



S-Series



F-Series

| Art. No. | Type | Capacity ton | Hoisting Speed (m/min) (50/60 Hz) | | Motor (kW) (50/60 Hz) | | Head room mm | Power Source (phase) | Chain No. Of falls | Lift mtr. |
|------------|--------------------|--------------|-----------------------------------|-----------|-----------------------|-----------|--------------|----------------------|--------------------|-----------|
| | | | Main | Creep | Main | Creep | | | | |
| 07 15 0001 | 1/4S ₂ | 0,25 | 10/12 | - | 0.45/0.55 | - | 450 | 3 | 1 | 3 |
| 07 15 0002 | 1/4SN ₂ | 0,25 | 7.2/8.5 | 1.8/2.1 | 0.32/0.38 | 0.08/0.1 | 450 | 3 | 1 | 3 |
| 07 15 0003 | 1/4SS ₂ | 0,25 | 5/6 | - | 0.25/0.3 | - | 450 | 1 | 1 | 3 |
| 07 15 0004 | 1/2S ₂ | 0,5 | 7.2/8.5 | - | 0.63/0.75 | - | 450 | 3 | 1 | 3 |
| 07 15 0005 | 1/2SN ₂ | 0,5 | 7.2/8.5 | 1.8/2.1 | 0.63/0.75 | 0.16/0.19 | 450 | 3 | 1 | 3 |
| 07 15 0006 | 1/2SS ₂ | 0,5 | 3.6/4.3 | - | 0.32/0.37 | - | 450 | 1 | 1 | 3 |
| 07 15 0007 | 1S* | 1 | 4.6/5.5 | - | 0.8/1.0 | - | 530 | 3 | 1 | 3 |
| 07 15 0008 | 1F** | 1 | 7.1/8.5 | - | 1.3/1.6 | - | 535 | 3 | 1 | 3 |
| 07 15 0009 | 1SN* | 1 | 4.6/5.5 | 1.2/1.4 | 0.8/1.0 | 0.2/0.25 | 530 | 3 | 1 | 3 |
| 07 15 0010 | 1S1 | 1 | 2.3/2.8 | - | 0.4/0.4 | - | 530 | 1 | 1 | 3 |
| 07 15 0011 | 2S* | 2 | 2.3/2.8 | - | 0.8/1.0 | - | 645 | 3 | 2 | 3 |
| 07 15 0012 | 2F** | 2 | 6.8/8.2 | - | 2.4/2.9 | - | 660 | 3 | 1 | 3 |
| 07 15 0013 | 2SN* | 2 | 2.3/2.8 | 0.6/0.7 | 0.8/1.0 | 0.2/0.25 | 645 | 3 | 2 | 3 |
| 07 15 0014 | 2FN** | 2 | 6.8/8.2 | 1.7/2.1 | 2.4/2.9 | 0.6/0.7 | 660 | 3 | 1 | 3 |
| 07 15 0015 | 2S2 | 2 | 1.1/1.4 | - | 0.4/0.5 | - | 645 | 1 | 2 | 3 |
| 07 15 0016 | 3S* | 3 | 1.5/1.8 | - | 0.8/1.0 | - | 800 | 3 | 3 | 3 |
| 07 15 0017 | 3F** | 3 | 4.1/4.9 | - | 2.4/2.9 | - | 820 | 3 | 2 | 3 |
| 07 15 0018 | 3FN** | 3 | 4.0/4.8 | 1.0/1.2 | 2.4/2.9 | 0.6/0.7 | 820 | 3 | 2 | 3 |
| 07 15 0019 | 3S1 | 3 | 0.8/0.9 | - | 0.4/0.5 | - | 800 | - | 3 | 3 |
| 07 15 0020 | 5S* | 5 | 0.9/1.1 | - | 0.8/1.0 | - | 895 | 3 | 5 | 3 |
| 07 15 0021 | 5F** | 5 | 2.8/3.3 | - | 2.4/2.9 | - | 1020 | 3 | 3 | 3 |
| 07 15 0022 | 5FN** | 5 | 2.8/3.3 | 0.7/0.8 | 2.4/2.9 | 0.6/0.7 | 1020 | 3 | 3 | 3 |
| 07 15 0023 | 5S1 | 5 | 0.45/0.55 | - | 0.4/0.5 | - | 895 | 1 | 5 | 3 |
| 07 15 0024 | 10FH** | 10 | 2.8/3.3 | - | 2.4/2.9x2 | - | 1060 | 3 | 4 | 6 |
| 07 15 0025 | 10FNH** | 10 | 2.8/3.3 | 0.7/0.8 | 2.4/2.9x2 | 0.6/0.7 | 1060 | 3 | 4 | 6 |
| 07 15 0026 | 26FH** | 15 | 1.8/2.2 | - | 2.4/2.9x2 | - | 1235 | 3 | 6 | 6 |
| 07 15 0027 | 15FNH** | 15 | 1.8/2.2 | 0.45/0.55 | 2.4/2.9x2 | 0.6/0.7 | 1235 | 3 | 6 | 6 |
| 07 15 0028 | 20FH** | 20 | 1.4/1.6 | - | 2.4/2.9x2 | - | 1440 | 3 | 8 | 6 |

* = With Reverse Phase Relay

** = With Automatic Adjusting Brake, Auxiliary Brake System & Reverse Phase Relay

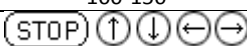
* = Med omvendt fase relæ

** = Med automatisk justerende bremse, hjælpe bremse system & omvendt fase Relæ

HITACHI TROLLEY

HITACHI LØBEKAT



| Series Name | ET Series | | | |
|--------------------------------------|--|---------|--------------------|---------|
| Model Name | 1ET | 2ET | 3ET | 5ET |
| WLL Ton | 1 | 2 | 3 | 5 |
| Traveling Speed 50/60Hz - m/min (kW) | 10.5/12.5 (21/25) | | | |
| Motor Output 50/60Hz (kW) | 0.14/0.16 (0.27/0.32) | | 0.3/0.35 (0.6/0.7) | |
| Applicable Beam Width (mm) | 75-125 | 100-150 | | 125-175 |
| Pendant Controller |  | | | |
| Control Voltage | 24 - 27V | | | |
| Rating | 25% ED | | | |

HITACHI ELECTRICAL CHAIN HOIST TWIN HOOK TYPE

- Only straight I beam can be applicable



HITACHI ELEKTRISK KÆDETALJE TANDEM TALJE

- Kun lige I-bjælker kan anvendes

| Model Name | 1/4SHT | 1/2SHT | 1SHT | 1FHT | 2FHT |
|---------------------------------|------------------|------------|-----------|-----------|------------|
| Rated Load | 2 x 125kg | 2 x 250kg | 2 x 500kg | 2 x 500kg | 2 x 1000kg |
| Standard Lift mtr | 6 | | | | |
| Hoisting Speed 50/60Hz - m/min | 9.2 / 11 | 7.1 / 8.5 | 4.6 / 5.5 | 7.1 / 8.5 | 6.8 / 8.2 |
| Traveling Speed 50/60Hz - m/min | 10.5 / 12.5 | | | | |
| Hoisting Motor 50/60Hz (kW) | 0.4 / 0.5 | 0.65 / 0.8 | 0.8 / 1.0 | 1.3 / 1.6 | 2.4 / 2.9 |
| Traveling Motor 50/60Hz (kW) | No. of poles - 2 | | | | |
| | 0.14 / 0.16 | | | | |
| Link Chain - dia./falls | No. Of poles - 2 | | | | |
| | Ø7.1 / 2 | | | | Ø10 / 2 |

HITACHI LOW HEAD ROOM TYPE

- Only straight I beam can be applicable

HITACHI LAV INDBYGNINGS MODEL

- Kun lige I-bjælker kan anvendes



| Model Name | 1/2SL | 1SL | 1FL | 2FL | 2.8FL | 1/2SNL | 1SNL | 2FNL | 2.8FNL |
|------------------------------------|-------------|-----------|-----------|-----------|-----------|------------------------|------------------------|------------------------|------------------------|
| Trolley Type | 1ET | | | 2ET | 3ET | 1ET | | 2ET | 3ET |
| Hoisting Speed 50/60Hz - m/min | 7.1 / 8.5 | 4.6 / 5.5 | 7.1 / 8.5 | 6.8 / 8.2 | 4.1 / 4.9 | 7.1 / 8.5 1.8 / 2.1 | 4.6 / 5.5 1.2 / 1.4 | 6.8 / 8.2 1.7 / 2.1 | 4.1 / 4.9 1.0 / 1.2 |
| Traveling Speed 50/60Hz - m/min | 10.5 / 12.5 | | | | | 10.5 / 12.5 | | | |
| Link Chain - dia./falls | Ø7.1 / 1 | Ø7.1 / 1 | Ø7.1 / 1 | Ø10 / 1 | Ø10 / 2 | Ø7.1 / 1 | Ø7.1 / 1 | Ø10 / 1 | Ø10 / 2 |



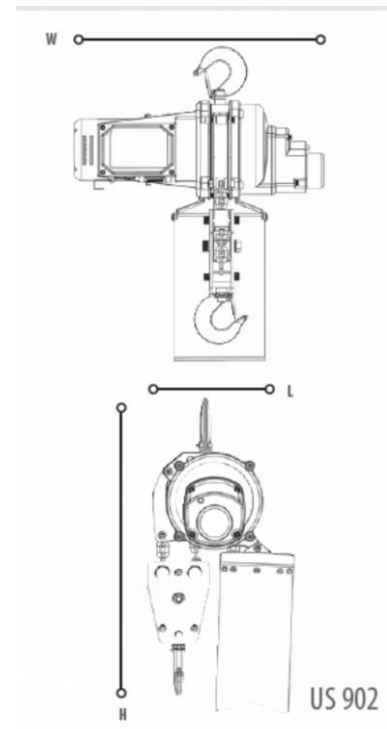
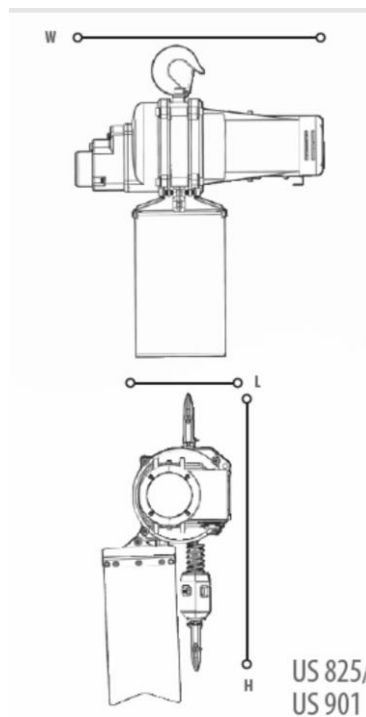
LEVER HOIST - MANUAL CHAIN BLOCK - MANUAL CHAIN HOIST - ELECTRICAL CHAIN HOIST - AIR CHAIN HOISTS - MINI AIR CHAIN HOISTS - COMPACT HOISTS - RED ROOSTER
 SKRALDETALJE - MANUEL KÆDETALJE - EL-KÆDETALJE - LUFT KÆDETALJER - MINI LUFT KÆDETALJER - KOMPAKTE TALJER - RED ROOSTER

ELECTRICAL CHAIN HOIST

- With 3 mtr. chain
- 110-230V - 1300 Watt
- Dual safety break system
1 - Mechanical break system
2 - Inertia power brake
- Overload protection device
- Chain bag is optional on request

EL-KÆDETALJE

- Med 3 mtr. kæde
- 110-230v - 1300 Watt
- Dual sikkerheds bremse system
1 - Mekanisk bremse system
2 - Inerti effekt bremse
- Sikkerheds anordning mod overbelastning
- Kæde taske som option, på forespørgsel



| Art. No. | Model | WLL ton | Chain mm | Speed m/min. 50 Hz | Speed m/min. 60 Hz | Output Watt | Power Volt | Chain Falls | Dimensions mm | | | Weight kg |
|------------|--------|---------|----------|--------------------|--------------------|-------------|------------|-------------|---------------|-----|-----|-----------|
| | | | | | | | | | W | L | H | |
| 07 11 0001 | US 825 | 0,25 | 4 | 10 | 12 | 1300 | 110-230 | 1 | 420 | 160 | 480 | 16 |
| 07 11 0002 | US 901 | 0,5 | 6,3 | 5 | 6 | 1300 | 110-230 | 1 | 420 | 160 | 480 | 16 |
| 07 11 0003 | US 902 | 1,0 | 6,3 | 2,5 | 3 | 1300 | 110-230 | 2 | 420 | 160 | 500 | 17 |



LEVER HOIST - MANUAL CHAIN BLOCK - MANUAL CHAIN HOIST - ELECTRICAL CHAIN HOIST - AIR CHAIN HOISTS - MINI AIR CHAIN HOISTS - COMPACT HOISTS - RED ROOSTER
 SKRALDETALJE - MANUEL KÆDETALJE - EL-KÆDETALJE - LUFT KÆDETALJER - MINI LUFT KÆDETALJER - KOMPakte TALJER - RED ROOSTER

ELTRICAL CHAIN HOIST

- 400 V / 50 Hz is standard
- 460 V / 60 Hz on request
- Control power 48 V
- Standard lift 3 meter.
- Overload protection



EL-KÆDETALJE

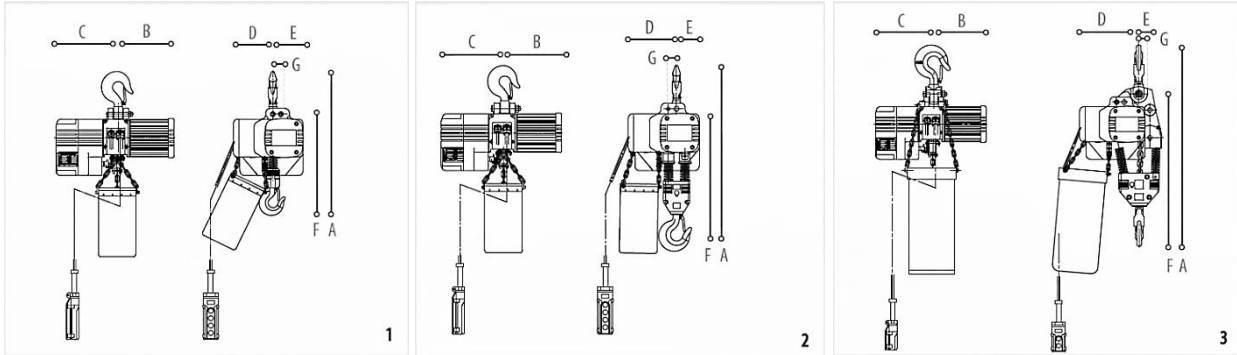
- 400 V / 50 Hz er standard
- 460 V / 60 Hz på forespørgelse
- Styrestrøm 24 V
- Standard løft 3 meter
- Beskyttelse mod overbelastning

| Art. No. | Model | WLL ton | Speed 50 Hz m/min | Output HP | Ref. Drawing | Chain Falls | Weight kg |
|------------|---------|---------|-------------------|-------------|--------------|-------------|-----------|
| 07 09 0001 | CTS0251 | 0,25 | 8 | 1,25 | 1 | 1 | 37 |
| 07 09 0002 | CTS0253 | 0,25 | 8 - 2,7 | 1,25 | 1 | 1 | 39 |
| 07 09 0003 | CTS1511 | 0,5 | 8 | 1,25 | 1 | 1 | 37 |
| 07 09 0004 | CTS1513 | 0,5 | 8 - 2,7 | 1,25 - 0,42 | 1 | 1 | 39 |
| 07 09 0005 | CTS30F1 | 1,0 | 4 | 1,25 | 1 | 1 | 41 |
| 07 09 0006 | CTS30F3 | 1,0 | 4 - 1,3 | 1,25 - 0,25 | 1 | 1 | 43 |
| 07 09 0007 | CTS3011 | 1,0 | 8 | 2,5 | 1 | 1 | 52 |
| 07 09 0008 | CTS3013 | 1,0 | 8 - 2,7 | 2,5 - 0,84 | 1 | 1 | 57 |
| 07 09 0009 | CTS4511 | 1,5 | 9,5 | 5,0 | 1 | 1 | 118 |
| 07 09 0010 | CTS4513 | 1,5 | 9,5 - 3,2 | 5,0 - 1,67 | 1 | 1 | 122 |
| 07 09 0011 | CTS3021 | 2,0 | 4 | 2,5 | 2 | 2 | 57 |
| 07 09 0012 | CTS3023 | 2,0 | 4 - 1,3 | 2,5 - 0,84 | 2 | 2 | 62 |
| 07 09 0013 | CTS6011 | 2,0 | 8 | 5,0 | 1 | 1 | 118 |
| 07 09 0014 | CTS6013 | 2,0 | 8 - 2,7 | 5,0 - 1,67 | 1 | 1 | 122 |
| 07 09 0015 | CTS7511 | 2,5 | 7,3 | 6,0 | 1 | 1 | 124 |
| 07 09 0016 | CTS7513 | 2,5 | 7,3 - 2,4 | 6,0 - 2,0 | 1 | 1 | 128 |
| 07 09 0017 | CTS3031 | 3,0 | 2,7 | 2,5 | 3 | 3 | 62 |
| 07 09 0018 | CTS3033 | 3,0 | 2,7 - 0,9 | 2,5 - 0,84 | 3 | 3 | 67 |
| 07 09 0019 | CTS4521 | 3,0 | 4,8 | 5,0 | 2 | 2 | 132 |
| 07 09 0020 | CTS4523 | 3,0 | 4,8 - 1,6 | 5,0 - 1,67 | 2 | 2 | 136 |
| 07 09 0021 | CTS7521 | 5,0 | 3,7 | 6,0 | 2 | 2 | 146 |
| 07 09 0022 | CTS7523 | 5,0 | 3,7 - 1,2 | 6,0 - 2,0 | 2 | 2 | 150 |
| 07 09 0023 | CTS7531 | 7,5 | 2,5 | 6,0 | 3 | 3 | 151 |
| 07 09 0024 | CTS7533 | 7,5 | 2,5 - 0,8 | 6,0 - 2,0 | 3 | 3 | 155 |
| 07 09 0025 | CTS7541 | 10 | 3,7 | 6,0 (2x) | - | 4 | 305 |
| 07 09 0026 | CTS7543 | 10 | 3,7 - 1,2 | 6 - 2 (2x) | - | 4 | 313 |
| 07 09 0027 | CTS7561 | 15 | 2,5 | 6,0 (2x) | - | 6 | 365 |
| 07 09 0028 | CTS7563 | 15 | 2,5 - 0,8 | 6 - 2 (2x) | - | 6 | 373 |

CONTINUED →



LEVER HOIST - MANUAL CHAIN BLOCK - MANUAL CHAIN HOIST - ELECTRICAL CHAIN HOIST - AIR CHAIN HOISTS - MINI AIR CHAIN HOISTS - COMPACT HOISTS - RED ROOSTER
 SKRALDETALJE - MANUEL KÆDETALJE - EL-KÆDETALJE - LUFT KÆDETALJER - MINI LUFT KÆDETALJER - KOMPAKTE TALJER - RED ROOSTER



| WLL ton | Dimensions - mm | | | | | | |
|---------------|-----------------|---------|-----|-----|-----|-----|----|
| | A | B | C | D | E | F | G |
| 0,25 / 0,5 | 410 | 215/255 | 264 | 158 | 105 | 319 | 38 |
| 1,0 | 450 | 215/255 | 264 | 158 | 105 | 338 | 38 |
| 1,0 | 542 | 229/269 | 256 | 161 | 124 | 430 | 33 |
| 1,5 | 697 | 290/331 | 297 | 200 | 143 | 557 | 47 |
| 2,0 | 654 | 229/269 | 256 | 194 | 91 | 514 | 33 |
| 2,0 | 697 | 290/331 | 297 | 200 | 143 | 557 | 47 |
| 2,5 | 768 | 310/360 | 297 | 200 | 143 | 602 | 47 |
| 3,0 | 744 | 229/269 | 256 | 258 | 102 | 578 | 47 |
| 3,0 | 834 | 290/331 | 297 | 247 | 96 | 668 | 47 |
| 5,0 | 867 | 310/360 | 297 | 247 | 96 | 697 | 47 |
| 7,5 / 10 / 15 | On request | | | | | | |



LEVER HOIST - MANUAL CHAIN BLOCK - MANUAL CHAIN HOIST - ELECTRICAL CHAIN HOIST - AIR CHAIN HOISTS - MINI AIR CHAIN HOISTS - COMPACT HOISTS - RED ROOSTER
 SKRALDETALJE - MANUEL KÆDETALJE - EL-KÆDETALJE - LUFT KÆDETALJER - MINI LUFT KÆDETALJER - KOMPAKTE TALJER - RED ROOSTER

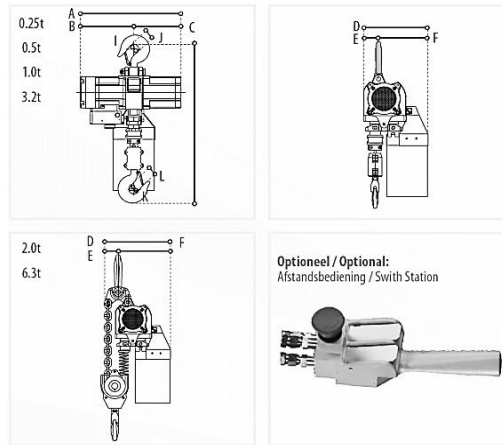
PNEUMATIC HOIST

- Supplied with grade 80 chain
- Standard 3 mtr. lift
- Precise control offers variable speed
- A automatic discbrake safety system
- With a automatic upper and lower limit to extend the service life
- Noise reduced gearbox
- The cast iron is shock, bump and corrosion resistant
- Vane lifting motor improves maximum torque



LUFT TALJE

- Leveres med Klasse 80 kæde
- Standard 3 mtr. løft
- Præcisions kontroller leverer variable hastigheder
- Automatisk skivebremse system
- Automatisk styring af max. & min. løft, for en forlænget service tid.
- Støjsvag gearkasse
- Støbejernet er stød, bump og korrosionsbestandig
- Vane løfte motor forbedrer maximal moment



| Art. No. | Model | Capacity Ton | Lifting motor | Lifting speed | Air consumption w/ full load - m ³ / min | Load Chain dia. (mm) | Chain Falls | Air Inlet | Main Line air supply | Classification ISO/FEM/ASME |
|------------|-------|-----------------|------------------|-----------------------|--|-------------------------|----------------|--------------|-------------------------|--------------------------------|
| | | | Output (kW) | (m ³ /min) | | | | | | |
| 07 12 0001 | PH025 | 0,25 | 1,5 | 18 | 2 | Ø6,3 x 19,1 | 1 | 1/2" | 3/4" | 2m |
| 07 12 0002 | PH050 | 0,5 | 1,5 | 11 | 2 | Ø6,3 x 19,1 | 1 | 1/2" | 3/4" | 2m |
| 07 12 0003 | PH100 | 1,0 | 2,0 | 7,6 | 2 | Ø7,1 x 20,2 | 1 | 1/2" | 3/4" | 2m |
| 07 12 0004 | PH200 | 2,0 | 2,0 | 3,8 | 2 | Ø7,1 x 20,2 | 2 | 1/2" | 3/4" | 2m |
| 07 12 0005 | PH320 | 3,2 | 3,5 | 4,8 | 4 | Ø13,0 x 36,0 | 1 | 3/4" | 2" | 2m |
| 07 12 0006 | PH630 | 6,3 | 3,5 | 2,4 | 4 | Ø13,0 x 36,0 | 2 | 3/4" | 2" | 2m |

| Model | H mm | A mm | B mm | C mm | D mm | E mm | F mm | I (Ø) mm | J mm | K (Ø) mm | L mm | Weight kg |
|--------|---------|---------|---------|---------|---------|---------|---------|-------------|---------|-------------|---------|--------------|
| PH0025 | 493 | 350 | 176 | 174 | 227 | 50 | 177 | 40 | 32 | 40 | 32 | 32 |
| PH005 | 493 | 350 | 176 | 174 | 227 | 50 | 177 | 40 | 32 | 40 | 32 | 36 |
| PH01 | 522 | 433 | 228,5 | 204,5 | 247 | 55 | 192 | 40 | 32 | 40 | 32 | 51 |
| PH02 | 720 | 433 | 228,5 | 204,5 | 325 | 73 | 252 | 46 | 40 | 46 | 40 | 60 |
| PH003 | 850 | 523,5 | 277,5 | 246 | 334 | 77 | 257 | 52 | 47 | 52 | 47 | 108 |
| PH06 | 1013 | 523,5 | 277,5 | 246 | 421 | 104 | 317 | 62 | 52 | 62 | 52 | 138 |



LEVER HOIST - MANUAL CHAIN BLOCK - MANUAL CHAIN HOIST - ELECTRICAL CHAIN HOIST - AIR CHAIN HOISTS - MINI AIR CHAIN HOISTS - COMPACT HOISTS - RED ROOSTER
 SKRALDETALJE - MANUEL KÆDETALJE - EL-KÆDETALJE - LUFT KÆDETALJER - MINI LUFT KÆDETALJER - KOMPAKTE TALJER - RED ROOSTER

STAGE HOIST

- Designed for the entertainment industry
- Overload Protection
- Standard 3 mtr. lift
- IP Rating 65
- Optional: Flybox, Jacket & Multiple control panel



DSHS

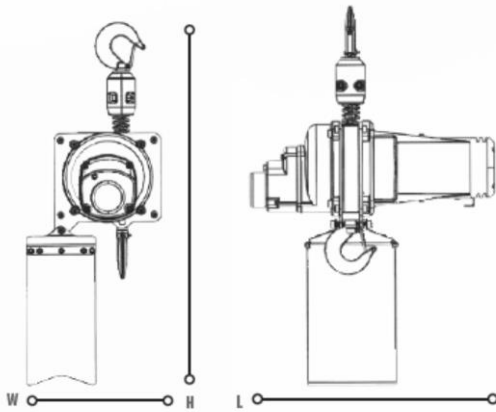
SCENETALJE

- Designet til underholdnings industrien
- Beskyttelse mod overbelastning
- Standard 3 mtr. løft
- IP 65
- Option: Transport kasse, Dækken & Multi Kontrol panel

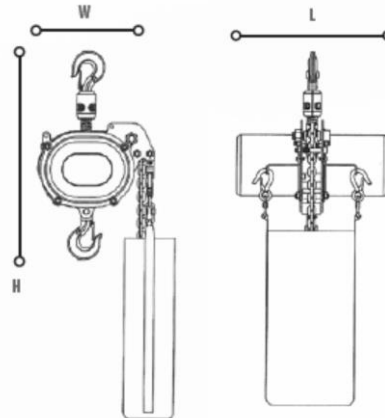


DSHT

| Art. No. | Model | WLL Ton | Chain mm | Speed m/min (50/60 Hz) | Output watt | Power volt | Chain Falls | Dimensions mm | | | Net Weight kg |
|------------|-----------|---------|----------|------------------------|-------------|------------|-------------|---------------|-----|-----|---------------|
| | | | | | | | | W | L | H | |
| 04 14 0001 | DSHS-500 | 0,5 | 6,3 | 5/6 | 110/220 | 1,3 | 1 | 200 | 420 | 480 | 18 |
| 04 14 0002 | DSHS-1000 | 1,0 | 6,3 | 2,5/3 | 110/220 | 1,3 | 2 | 200 | 420 | 480 | 23 |
| 04 14 0003 | DSHT-1000 | 1,0 | 7,1 | 6/7 | 220/380/440 | 2,0 | 1 | 290 | 430 | 600 | 45 |
| 04 14 0004 | DSHT-2000 | 2,0 | 7,1 | 3/3,5 | 220/380/440 | 2,0 | 2 | 290 | 430 | 600 | 55 |



DSHS-500
DSHS-1000



DSHT-1000
DSHT-2000

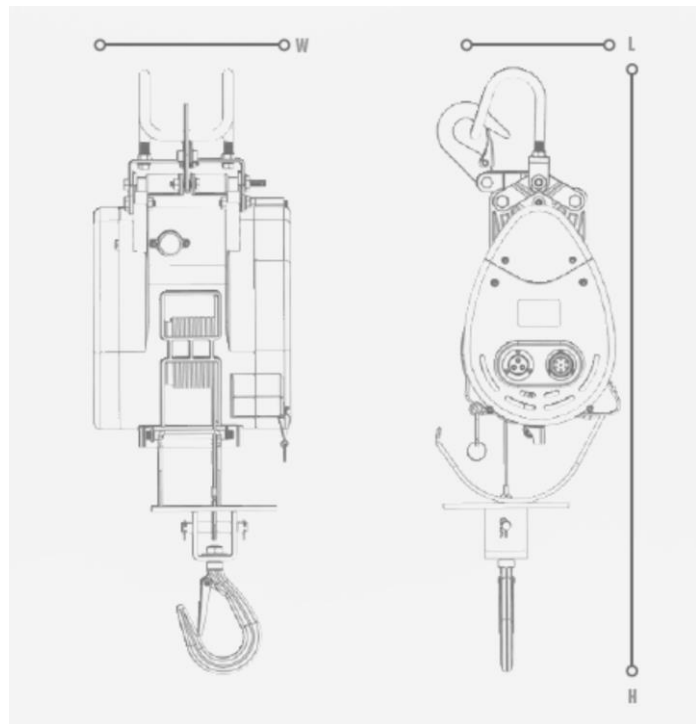
MINI WINCH

- Light and compacted
- Double safety brake
- Portable due to the plug-in power cord
- Control Switch with 10 mtr. cable



MINI SPIL

- Let og kompakt
- Dobbelt sikkerheds bremse
- Transportable grundet plug-in strømforsyning
- Fjernbetjening med 10 mtr. kabel



| Art. No. | Model | WLL Kg | Speed m/min | Power Consumption watt | Div. Power Source volt | Duty Cycle | Lifting Height mtr | Steel Wire mm Ø x mtr. | Dimension cm (LxBxH) | Weight kg |
|------------|---------|--------|-------------|------------------------|------------------------|------------|--------------------|------------------------|----------------------|-----------|
| 04 15 0001 | CSW-160 | 160 | 23 | 1200 (6a) | 110-230v, 1 phase | 25-5ED | 28 | 5 x 30 | 24x18x66 | 15 |
| 04 15 0002 | CSW-230 | 230 | 23 | 1300 (7a) | 110-230v, 1 phase | 25-5ED | 28 | 5 x 30 | 24x18x66 | 16 |
| 04 15 0003 | CSW-300 | 300 | 15 | 1300 (7a) | 110-230v, 1 phase | 25-5ED | 28 | 6 x 40 | 24x21x67 | 20 |

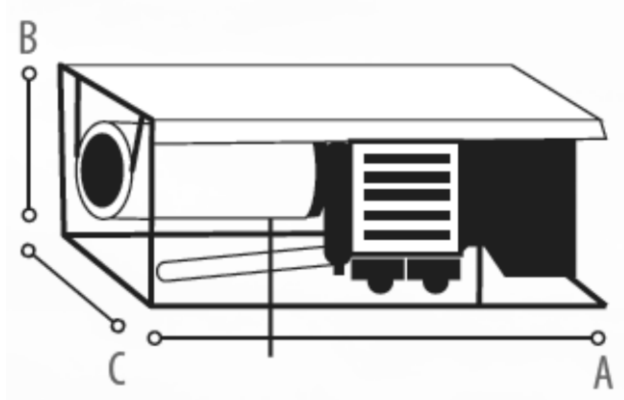
ELECTRICAL WIRE ROPE WINCH

- IP 40
- Optional: Radio remote control



ELEKTRISK WIRE SPIL

- IP 40
- Option: Radio styret fjerbetjening



| Art. No. | Model | WLL kg | Speed m/min | Power Requirement kw | Power kw | Voltage v | Frequency hz | Shaft rpm | Reduction Rate |
|------------|----------|--------|-------------|----------------------|--------------|-----------|--------------|-----------|----------------|
| 04 16 0001 | DM 100/E | 100 | 15 | 0,30 | Single Phase | 230 | 50 | 1400 | 1:23,81 |
| 04 16 0002 | DM 150/E | 150 | 21 | 0,65 | Single Phase | 230 | 50 | 1400 | 1:22,36 |
| 04 16 0003 | DM 200/E | 200 | 21 | 0,75 | Single Phase | 230 | 50 | 1400 | 1:22,36 |
| 04 16 0004 | DM 300/E | 300 | 23 | 1,45 | Single Phase | 230 | 50 | 1400 | 1:26,6 |

| Model | Dimensions mm | | | Wire \varnothing mm | Max working height mtr | Weight kg |
|----------|---------------|-----|-----|-----------------------|------------------------|-----------|
| | A | B | C | | | |
| DM 100/E | 375 | 170 | 240 | 3 | 16 | 15 |
| DM 150/E | 415 | 210 | 310 | 4 | 25 | 22 |
| DM 200/E | 415 | 210 | 310 | 4 | 25 | 23 |
| DM 300/E | 580 | 305 | 410 | 6 | 25 | 47 |



LEVER HOIST - MANUAL CHAIN BLOCK - MANUAL CHAIN HOIST - ELECTRICAL CHAIN HOIST - AIR CHAIN HOISTS - MINI AIR CHAIN HOISTS - COMPACT HOISTS - RED ROOSTER
 SKRALDETALJE - MANUEL KÆDETALJE - EL-KÆDETALJE - LUFT KÆDETALJER - MINI LUFT KÆDETALJER - KOMPAKTE TALJER - RED ROOSTER

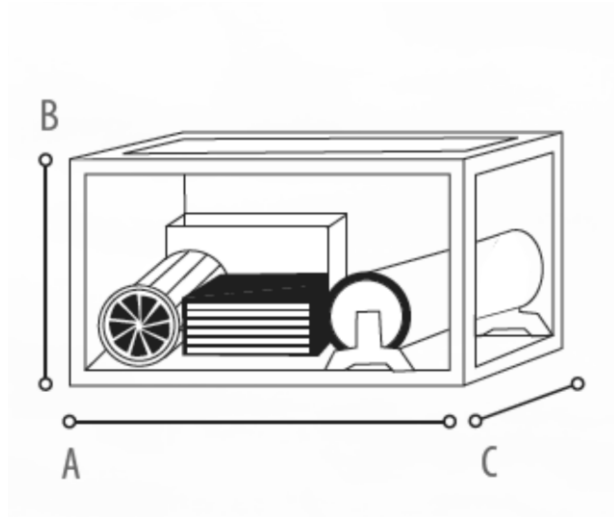
CUBIC WINCH

- Assembled in a frame



EL-SPIL

- Samlet i en ramme



| Art. No. | Model | WLL kg | Speed m/min | Power Requirement kw | Power kw | Voltage v | Frequency hz | Shaft rpm | Reduction Rate |
|------------|-----------|--------|-------------|----------------------|--------------|-----------|--------------|-----------|----------------|
| 04 17 0001 | DM200/APQ | 200 | 21 | 0,75 | Single Phase | 230 | 50 | 1400 | 1:25,5 |
| 04 17 0002 | DM200/APQ | 200 | 21 | 0,75 | Three Phase | 230/400 | 50 | 1400 | 1:25,5 |
| 04 17 0003 | DM300/APQ | 300 | 21 | 1,45 | Single Phase | 230 | 50 | 1400 | 1:25,5 |
| 04 17 0004 | DM300/APQ | 300 | 21 | 1,85 | Three Phase | 230/400 | 50 | 1400 | 1:25,5 |
| 04 17 0005 | DM500/APQ | 500 | 21 | 1,45 | Single Phase | 230 | 5 | 1400 | 1:41,3 |
| 04 17 0006 | DM500/APQ | 500 | 21 | 2,2 | Three Phase | 230/400 | 50 | 1400 | 1:25,5 |

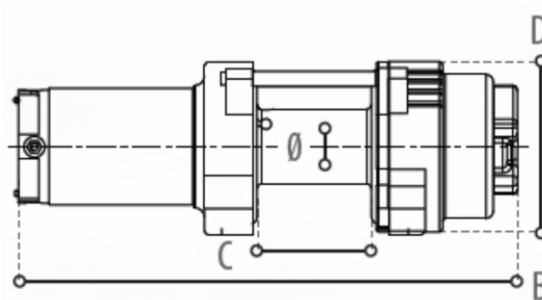
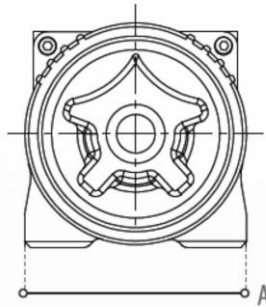
| Model | Dimensions mm | | | Wire \varnothing mm | Wire Length mtr | Weight kg |
|-----------|---------------|-----|-----|-----------------------|-----------------|-----------|
| | A | B | C | | | |
| DM200/APQ | 510 | 360 | 380 | 5 | 25 | 50 |
| DM200/APQ | 510 | 360 | 380 | 5 | 25 | 50 |
| DM300/APQ | 510 | 360 | 380 | 6 | 25 | 53 |
| DM300/APQ | 510 | 360 | 380 | 6 | 25 | 53 |
| DM500/APQ | 510 | 360 | 380 | 6 | 40 | 54 |
| DM500/APQ | 510 | 360 | 380 | 7 | 25 | 54 |

ATV WINCHES - 12/24V

- Planetary gear = faster speed & higher efficiency
- Circuit breaker to prevent overheating
- Waterproof body
- Free spooling clutch
- Mechanical brake

ATV SPIL - 12/24V

- Planetgear = højere fart & højere effektivitet
- Kredsløbs afbryder mod overophedning
- Vandtæt chassis
- Fri spolings kobling
- Mekanisk bremse



| Art. No. | Model | Max line pull kg | Gear Train | Motor | Wire Rope | Line Speed m/min | Weight kg |
|------------|------------|------------------|------------|--------------------------|----------------|------------------|-----------|
| 04 18 0001 | ATV - 3000 | 1360 | 3-Stage | 12v - 1,5 hp / 1,0 kw | 5,4mm x 10 mtr | 2,1 | 7,4 |
| 04 18 0002 | ATV - 3000 | 1360 | 3-Stage | 24v - 1,7 hp / 1,2 kw | 5,4mm x 10 mtr | 2,1 | 7,4 |

| Model | Dimensions mm | | | | |
|------------|---------------|-------|----|-----|----|
| | A | B | C | D | Ø |
| ATV - 3000 | 116,2 | 347,9 | 83 | 114 | 50 |



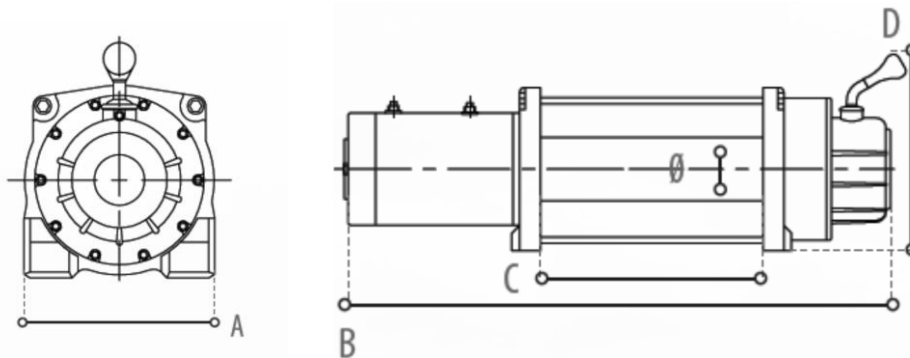
LEVER HOIST - MANUAL CHAIN BLOCK - MANUAL CHAIN HOIST - ELECTRICAL CHAIN HOIST - AIR CHAIN HOISTS - MINI AIR CHAIN HOISTS - COMPACT HOISTS - RED ROOSTER
 SKRALDETALJE - MANUEL KÆDETALJE - EL-KÆDETALJE - LUFT KÆDETALJER - MINI LUFT KÆDETALJER - KOMPakte TALJER - RED ROOSTER

SELF-RECOVERY WINCHES - 12/24V

- 3-stage Planetary for higher speed
- Free spool clutch lever
- Electrical brake

TRÆKSPIL - 12/24V

- 3-trins Planetgear for højere fart
- Frispole koblingsarm
- Elektrisk bremse



| Art. No. | Model | Max line pull kg | Motor | Wire Rope | Line Speed m/min | Weight kg |
|------------|------------|------------------|------------------------|-----------------|------------------|-----------|
| 04 19 0001 | DV - 6000 | 2722 | 12 v - 5,0 hp / 3,7 kw | 7,2mm x 28 mtr | 2,8 | 35 |
| 04 19 0002 | DV - 6000 | 2722 | 24 v - 6,8 hp / 5,0 kw | 7,2mm x 28 mtr | 2,8 | 35 |
| 04 19 0003 | DV - 9000 | 4082 | 12 v - 6,0 hp / 4,4 kw | 8,0mm x 28 mtr | 2,3 | 39 |
| 04 19 0004 | DV - 9000 | 4082 | 24 v - 8,1 hp / 6,0 kw | 8,0mm x 28 mtr | 2,3 | 39 |
| 04 19 0005 | DV - 12000 | 5443 | 12 v - 6,8 hp / 5,0 kw | 9,5m x 26 mtr | 2,1 | 44 |
| 04 19 0006 | DV - 12000 | 5443 | 24 v - 8,8 hp / 6,4 kw | 9,5mm x 26 mtr | 2,1 | 44 |
| 04 19 0007 | DV - 15000 | 2722 | 12 v - 7,2 hp / 5,3 kw | 11,5mm x 26 mtr | 2,8 | 35 |
| 04 19 0008 | DV - 15000 | 2722 | 24 v - 9,7 hp / 7,1 kw | 11,5mm x 26 mtr | 2,8 | 35 |

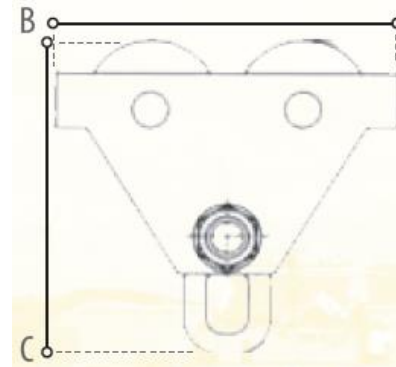
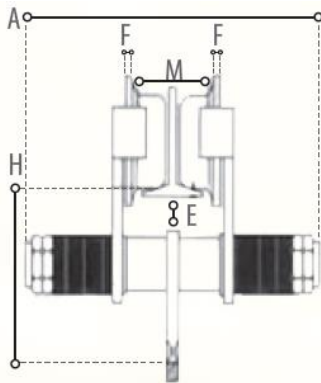
| Model | Dimensions mm | | | | |
|------------|---------------|-----|-----|-----|----|
| | A | B | C | D | Ø |
| DV - 6000 | 168 | 552 | 254 | 214 | 76 |
| DV - 9000 | 168 | 584 | 254 | 214 | 76 |
| DV - 12000 | 168 | 584 | 254 | 220 | 64 |
| DV - 15000 | 215 | 644 | 254 | 264 | 88 |

PUSH TROLLEY

- Applicable on H-, UNP- & INP Beams
- Low headroom design
- Anti-drop bar
- Individual marked and load tested
- Test and CE-certificate

LØBEKAT TIL SKUB

- Kan monteres på H-, UNP- & INP Bjælker
- Lav frihøjde design
- Anti-fald bar
- Individuel mærket og prøvebelastet
- Test og CE-certifikat



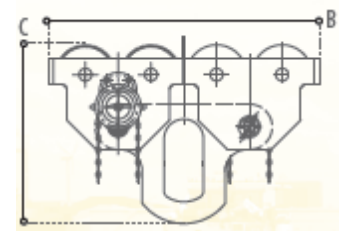
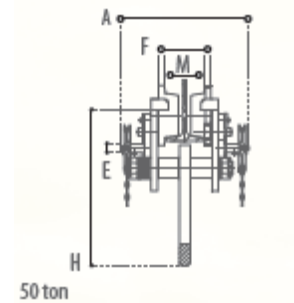
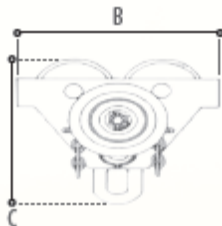
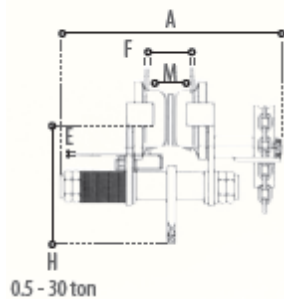
| Art. No. | WLL ton | Beam (min-max) mm | Dimension mm | | | | | | Weight kg |
|------------|---------|-------------------|--------------|-----|-------|-------|-----|--------|-----------|
| | | | A | B | C | H | F | E min. | |
| 07 24 0001 | 0,5 | 64-140 | 230 | 212 | 198,5 | 113 | 3 | 12 | 7 |
| 07 24 0002 | 1 | 64-140 | 254 | 255 | 231,5 | 128 | 3 | 9 | 12 |
| 07 24 0003 | 2 | 76-165 | 294 | 302 | 278 | 152 | 3 | 6 | 22 |
| 07 24 0004 | 3 | 76-300 | 344 | 344 | 338 | 186 | 3 | 10 | 30 |
| 07 24 0005 | 5 | 88-300 | 360 | 378 | 393 | 219 | 4,5 | 12 | 55 |
| 07 24 0006 | 10 | 125-300 | 403 | 455 | 490 | 275,5 | 4,5 | 13,5 | 93 |
| 07 24 0007 | 20 | 136-300 | 475 | 642 | 622 | 315 | 4,5 | 13,5 | 235 |
| 07 24 0008 | 30 | - | - | - | - | - | - | - | - |
| 07 24 0009 | 50 | - | - | - | - | - | - | - | - |



LEVER HOIST - MANUAL CHAIN BLOCK - MANUAL CHAIN HOIST - ELECTRICAL CHAIN HOIST - AIR CHAIN HOISTS - MINI AIR CHAIN HOISTS - COMPACT HOISTS - RED ROOSTER
 SKRALDETALJE - MANUEL KÆDETALJE - EL-KÆDETALJE - LUFT KÆDETALJER - MINI LUFT KÆDETALJER - KOMPAKTE TALJER - RED ROOSTER

CHAIN TROLLEY

- Adjustable to any beam width by adjusting the number of washers
- Applicable to H-, UNP- or INP beams
- Anti-drop bar
- Individual marked and load tested
- Test and CE-certificate
- Effective chain length 3m.



LØBEKAT HÅNDKÆDE FREMFØRT

- Kan justeres, så den passer til hvilken som helst bjælke bredde
- Kan sættes på H-, UNP- eller INP bjælker
- Anti-fald bar
- Individuel mærket og prøvebelastet
- Test og CE-certifikat
- Effektiv kæde længde 3m.

| Art. No. | WLL ton | Beam (min-max) mm | Dimension mm | | | | | | Weight kg |
|------------|---------|-------------------|--------------|-----|-------|-------|-----|------|-----------|
| | | | A | B | C | H | F | E | |
| 07 13 0001 | 0,5 | 64-140 | 308,5 | 212 | 198,5 | 113 | 3 | 12 | 14 |
| 07 13 0002 | 1 | 64-140 | 328,5 | 255 | 231,5 | 128 | 3 | 9 | 19 |
| 07 13 0003 | 2 | 76-165 | 361,5 | 302 | 278 | 152 | 3 | 6 | 29 |
| 07 13 0004 | 3 | 76-300 | 428,5 | 344 | 338 | 186 | 3 | 10 | 40 |
| 07 13 0005 | 5 | 88-300 | 434 | 378 | 393 | 219 | 4,5 | 12 | 65 |
| 07 13 0006 | 10 | 125-300 | 487,5 | 455 | 490 | 275,5 | 4,5 | 13,5 | 103 |
| 07 13 0007 | 20 | 136-300 | 547 | 642 | 622 | 315 | 4,5 | 13,5 | 245 |
| 07 13 0008 | 30 | 250-300 | 655 | 642 | 622 | 385 | 4,5 | 13,5 | 260 |
| 07 13 0009 | 50 | 170-220 | 1242 | 585 | 832 | 468 | - | 180 | 597 |



LEVER HOIST - MANUAL CHAIN BLOCK - MANUAL CHAIN HOIST - ELECTRICAL CHAIN HOIST - AIR CHAIN HOISTS - MINI AIR CHAIN HOISTS - COMPACT HOISTS - RED ROOSTER
 SKRALDETALJE - MANUEL KÆDETALJE - EL-KÆDETALJE - LUFT KÆDETALJER - MINI LUFT KÆDETALJER - KOMPakte TALJER - RED ROOSTER

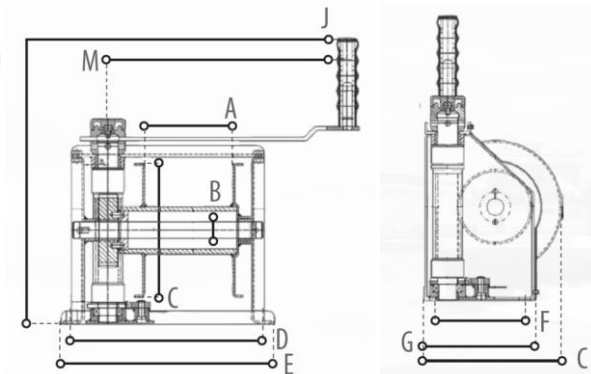
WALL WINCH

- Rated for lifting applications
- Worm & Wheel gearing
- Optional: Galvanized finish
- Excl. wire rope



VÆGSPIL

- Normeret til løfteopgaver
- Snekkegear
- Option: Galvaniseret finish
- Eksl. wire



| Art. No. | Capacity kg | WLL kg | Gear Ratio | Drum Ø | Wire Ø mm x m |
|------------|-------------|--------|------------|--------|---------------|
| 07 27 0001 | 250 | 187 | 12:1 | 60 | 5 x 44 |
| 07 27 0002 | 500 | 357 | 17:1 | 70 | 7 x 44 |
| 07 27 0003 | 1000 | 737 | 26:1 | 101 | 9 x 48 |
| 07 27 0004 | 1500 | 1044 | 26:1 | 101 | 11 x 30 |

| Capacity kg | Dimension mm | | | | | | | | | | | Weight kg |
|-------------|--------------|-----|-----|-----|-----|-----|-----|----|-----|-----|-----|-----------|
| | A | B | C | D | E | F | G | H | J | M | R | |
| 250 | 115 | 60 | 150 | 261 | 287 | 82 | 140 | 17 | 366 | 350 | 166 | 10,5 |
| 500 | 129 | 70 | 195 | 285 | 313 | 106 | 164 | 17 | 417 | 350 | 202 | 14,0 |
| 1000 | 158 | 101 | 242 | 318 | 348 | 140 | 200 | 17 | 463 | 350 | 274 | 26,0 |
| 1500 | 185 | 101 | 242 | 346 | 378 | 178 | 238 | 17 | 490 | 350 | 274 | 28,0 |

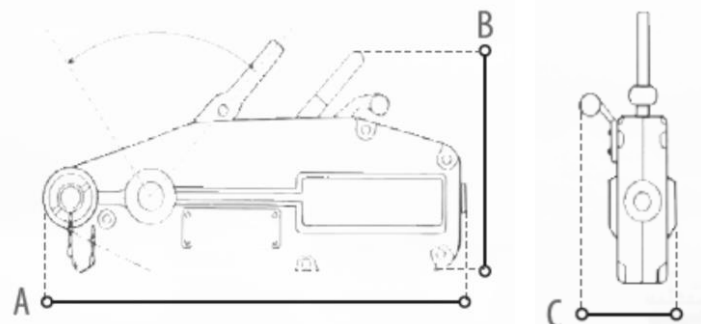
PULLING HOIST

- Light and compact
- Corrosion-free
- Ex. Steel wire



TRÆKTALJE

- Let og kompakt
- Korrosionsfri
- Eks. Stålwire



| Art. No. | Rated Lifting Capacity - kg | Rated Pulling Capacity - kg | Dimension mm | | | Anchor Bolt Ø mm | Weight kg |
|------------|-----------------------------|-----------------------------|--------------|-----|-----|------------------|-----------|
| | | | A | B | C | | |
| 07 28 0001 | 800 | 1300 | 426 | 235 | 64 | 22 | 6,5 |
| 07 28 0002 | 1600 | 2600 | 545 | 280 | 97 | 25 | 12 |
| 07 28 0003 | 3200 | 5200 | 660 | 325 | 116 | 30 | 21 |
| 07 28 0004 | 5400 | 8000 | 930 | 480 | 152 | 40 | 58 |

TIRFOR TU SERIE

- For lifting, pulling and positioning heavy loads, the models in the Tirfor TU range are unrivalled in terms of durability and sturdiness
- They are also approved for lifting personnel (for more details look up national regulations)

TIRFOR TU SERIE

- Til løft, træk og positionering af tunge løft. Modellerne i Tirfor TU serien er enestående i form, af deres holdbarhed og robuste styrke
- Godkendt til person løft (for flere detaljer, tjek de nationale regler)



TU-32

| Art. No. | Model | WLL kg | Machine weight kg | Wire rope weight (20m) kg | Special Tirfor wire rope Ø kg | Wire rope breaking strain kg | Dimensions of the machine L x l x W (mm) | Dimensions of the handle opened/closed mm |
|------------|-------|--------|-------------------|---------------------------|-------------------------------|------------------------------|--|---|
| 07 29 0001 | TU-8 | 800 | 8,4 | 6,1 | 8,3 | 4000 | 527 x 265 x 108 | 770 - 510 |
| 07 29 0002 | TU-16 | 1600 | 20 | 13,1 | 11,5 | 8000 | 660 x 330 x 140 | 1190 - 680 |
| 07 29 0003 | TU-32 | 3200 | 27 | 26,6 | 16,3 | 16000 | 676 x 330 x 156 | 1190 - 680 |

TIRFOR 500 SERIE

- Compact, lightweight and easy to handle.
- Tirfor T-500 units combine ease of handling and safety.
- They are recommended for applications where portability is an important criterion

TIRFOR 500 SERIE

- Kompakt, let og nem at håndtere.
- Tirfor T-500 modellerne kombinerer nem håndtering og sikkerhed
- Anbefales til brug, hvor flytbarhed er et vigtigt kriterium.



T-508D

| Art. No. | Model | WLL kg | Machine weight kg | Wire rope weight (20m) kg | Special Tirfor wire rope Ø kg | Wire rope breaking strain kg | Dimensions of the machine L x l x W (mm) | Dimensions of the handle opened/closed mm |
|------------|--------|--------|-------------------|---------------------------|-------------------------------|------------------------------|--|---|
| 07 30 0001 | T-508D | 800 | 6,6 | 6,1 | 8,3 | 4000 | 420 x 250 x 59 | 690 - 400 |
| 07 30 0002 | T-516D | 1600 | 13,5 | 13,1 | 11,5 | 8000 | 530 x 315 x 127 | 1150 - 650 |
| 07 30 0003 | T-532 | 3200 | 24 | 26,6 | 16,3 | 16000 | 620 x 355 x 130 | 1150 - 650 |



HYDRAULIC & PNEUMATIC TIRFOR

Pneumatic Tirfor:

Tirfor TU-16A and TU-32A are mainly used in applications on building sites and in industries where there is a risk of explosions or where compressed air facilities are readily available such as power stations, shipyards etc.

Hydraulic Tirfor:

This consists of a hydraulic power pack with an electric or petrol motor, which allows remote operation either singly or with up to 4 Tirfor TU-16H or TU-32H machines together, each fitted with hydraulic jacks.



Hydraulic/Hydraulisk

HYDRAULISK & PNEUMATIK TIRFOR

Pneumatik Tirfor:

Tirfor TU-16a og TU-32A er oftest brugt på byggepladser eller i industribrancher med stor risiko for eksplosioner eller hvor trykluftsfaciliteter er let tilgængelige, så som kræftværker, skibsgårde osv.

Hydraulisk Tirfor:

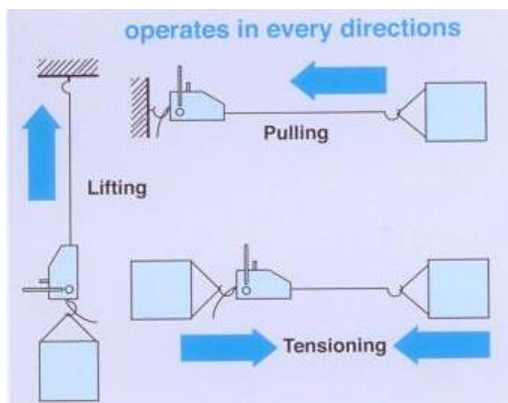
Består af et hydraulisk kraftcenter, med enten en el- eller benzin motor. Hvilket gør det muligt at fjernstyre en enkelt eller helt op til 4 Tirfor TU-16H eller TU-32H maskiner ad gangen, når alle er tilkoblet hydraulisk.



Pneumatic/Pneumatik

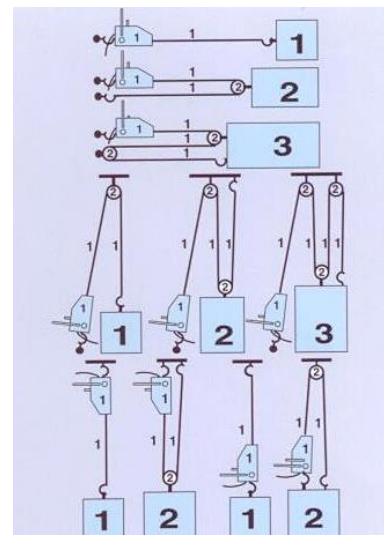
THE TRIFOR PRINCIPLE

- TU range approved for lifting personnel in most countries (check national regulations)
- When calculating the working load limit, include a loss of around 4% per sheave, due to the friction of the sheaves



TRIFOR PRINCIPPET

- TU serien er godkendt til person løft i de fleste lande (tjek nationale reglementer)
- Ved beregning af last begrænsning, inkludere da et tab på ca. 4% pr. skive, pga. slid af skiverne





LEVER HOIST - MANUAL CHAIN BLOCK - MANUAL CHAIN HOIST - ELECTRICAL CHAIN HOIST - AIR CHAIN HOISTS - MINI AIR CHAIN HOISTS - COMPACT HOISTS - RED ROOSTER
 SKRALDETALJE - MANUEL KÆDETALJE - EL-KÆDETALJE - LUFT KÆDETALJER - MINI LUFT KÆDETALJER - KOMPAKTE TALJER - RED ROOSTER

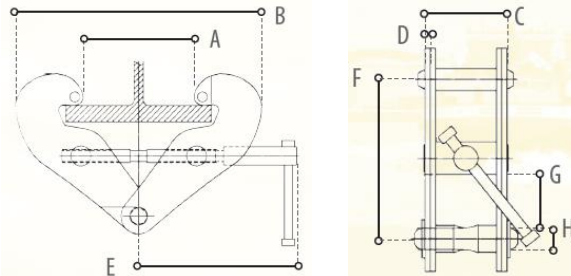
BEAM CLAMP

- Secure grip on beam flange, vertically & horizontally
- Individual marked and load tested
- Test and CE-certificate



BJÆLKEKLO

- Sikkert greb på bjælkeklemmen, lodret såvel som horisont
- Individuel mærket og prøvebelastet
- Test og CE-certifikat



| Art. No. | WLL ton | Beam (min-max) mm | Dimension mm | | | | | | | | Weight kg |
|------------|---------|-------------------|--------------|-----------|-----|----|-----|-----------|----|----|-----------|
| | | | A | B | C | D | E | F | G | H | |
| 07 31 0001 | 1 | 75 - 230 | 278 | 183 - 380 | 64 | 4 | 217 | 150 - 90 | 26 | 19 | 3,5 |
| 07 31 0002 | 2 | 75 - 230 | 278 | 183 - 380 | 76 | 6 | 277 | 150 - 90 | 26 | 21 | 4,5 |
| 07 31 0003 | 3 | 80 - 320 | 356 | 220 - 500 | 100 | 8 | 277 | 220 - 145 | 47 | 23 | 9,5 |
| 07 31 0004 | 5 | 90 - 320 | 356 | 220 - 500 | 112 | 10 | 277 | 220 - 145 | 50 | 29 | 11 |
| 07 31 0005 | 10 | 90 - 320 | 356 | 250 - 500 | 120 | 12 | 285 | 230 - 160 | 52 | 39 | 16 |

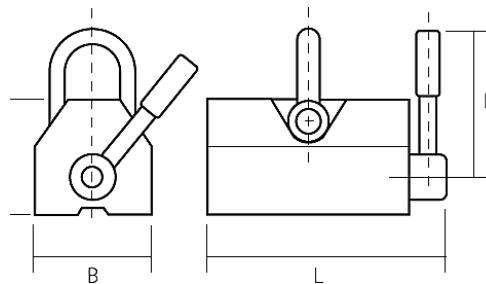
LIFTING MAGNET

- Manually operated ON/OFF switch
- Individual marked and load tested
- Test and CE-certificate

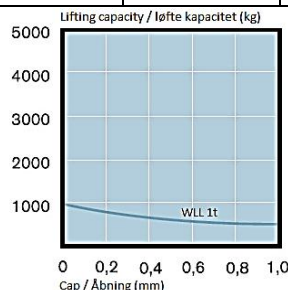
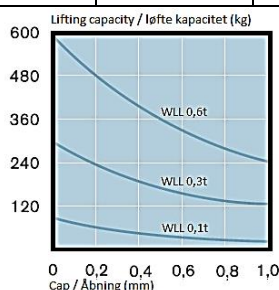
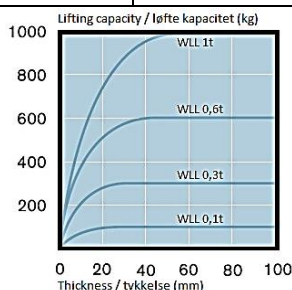


LØFTEMAGNET

- Manuel betjent ON/OFF kontakt
- Individuel mærket og prøvebelastet
- Test og CE-certifikat

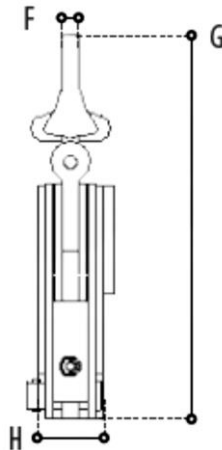
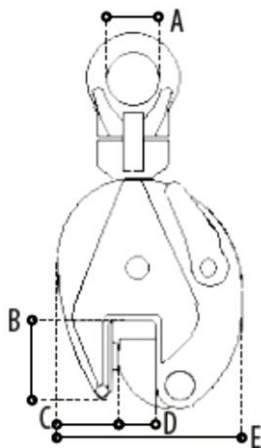


| Art. No. | WLL* kg | Cylindrical WLL kg | Dimension mm | | | | Weight kg |
|------------|---------|--------------------|--------------|-----|-----|-----|-----------|
| | | | L | B | H | R | |
| 07 32 0001 | 100 | 30 | 92 | 62 | 67 | 126 | 3 |
| 07 32 0002 | 300 | 100 | 162 | 92 | 91 | 150 | 10 |
| 07 32 0003 | 600 | 200 | 232 | 122 | 117 | 196 | 24 |
| 07 32 0004 | 1000 | 300 | 258 | 176 | 163 | 285 | 50 |
| 07 32 0005 | 2000 | 600 | 378 | 234 | 212 | 426 | 125 |
| 07 32 0006 | 3000 | 1000 | 458 | 286 | 261 | 521 | 220 |
| 07 32 0007 | 6000 | 2000 | 720 | 296 | 266 | 700 | 398 |



UNIVERSAL LIFTING CLAMP

- Lifiable in every direction
- With safety lock



UNIVERSAL LØFTEKLO

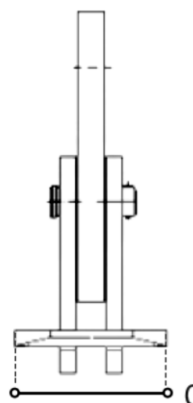
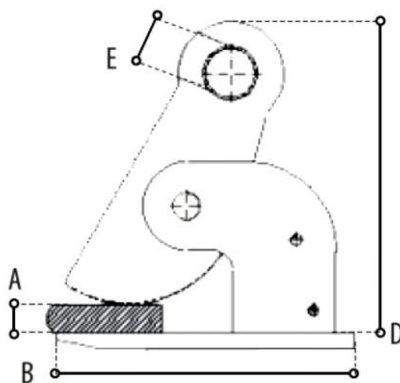
- Kan løfte i alle retninger
- Med sikkerhedslås



| Art. No. | Type | WLL kg | Test Load kN | Gap mm | A mm | B mm | C mm | D mm | E mm | F mm | G mm | H mm | Weight kg |
|------------|--------|--------|--------------|--------|------|------|------|------|------|------|------|------|-----------|
| 07 33 0001 | UCL-05 | 500 | 15 | 0-15 | 30 | 43 | 34,5 | 0-17 | 103 | 10 | 212 | 36 | 2 |
| 07 33 0002 | UCL-10 | 100 | 14,7 | 0-20 | 48 | 63 | 51 | 0-22 | 138 | 12 | 294 | 50 | 4,8 |
| 07 33 0003 | UCL-20 | 2000 | 29,4 | 0-25 | 68 | 76 | 59 | 0-27 | 164 | 16 | 370 | 52 | 6,5 |
| 07 33 0004 | UCL-30 | 3000 | 44,1 | 0-30 | 74 | 85 | 56 | 0-32 | 193 | 20 | 418 | 78 | 15 |
| 07 33 0005 | UCL-50 | 5000 | 73,5 | 0-50 | 80 | 90 | 65 | 0-52 | 240 | 22 | 450 | 88 | 23,3 |

HORIZONTAL LIFTING CLAMP

- Always use in pairs
- When more than 2 clamps is used, use a spreader



HORIZONTAL LØFTEKLO

- Skal altid bruges parvis
- Ved brug af mere end 2 kløer, anvend løfteåg



| Art. No. | Type | WLL - kg | | Gap mm | A (max) mm | B mm | C mm | D (max) mm | E mm | Test Load - kN | | Egenvægt - kg | |
|------------|---------|----------|------|--------|------------|------|------|------------|------|----------------|-------|---------------|------|
| | | Single | Pair | | | | | | | Single | Pair | Single | Pair |
| 07 34 0001 | HLC-075 | 750 | 1500 | 0-50 | 25 | 125 | 50 | 175 | 25 | 11,04 | 22,07 | 3 | 6 |
| 07 34 0002 | HLC-150 | 1500 | 3000 | 0-50 | 30 | 157 | 65 | 204 | 30 | 22,07 | 44,13 | 7 | 14 |
| 07 34 0003 | HLC-250 | 2500 | 5000 | 0-60 | 45 | 231 | 90 | 310 | 40 | 29,43 | 58,86 | 14 | 28 |



LEVER HOIST - MANUAL CHAIN BLOCK - MANUAL CHAIN HOIST - ELECTRICAL CHAIN HOIST - AIR CHAIN HOISTS - MINI AIR CHAIN HOISTS - COMPACT HOISTS - RED ROOSTER
 SKRALDETALJE - MANUEL KÆDETALJE - EL-KÆDETALJE - LUFT KÆDETALJER - MINI LUFT KÆDETALJER - KOMPAKTE TALJER - RED ROOSTER

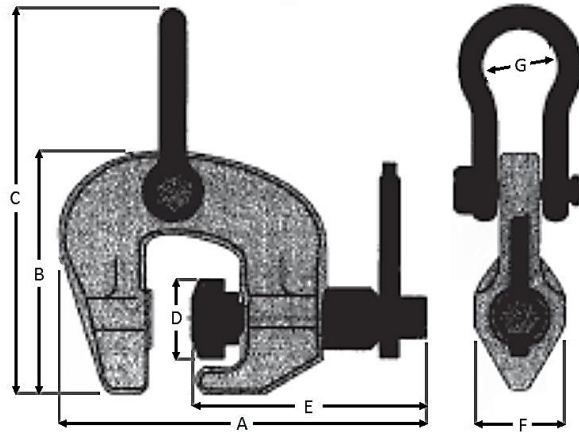
HAJO SUPER LIFTING CLAMP

- Made of alloy steel
- Lifting, hanging etc., in all directions.
- Die forged



HAJO SUPER LØFTEKLO

- Lavet af alloy stål
- Til løft og træk i alle retninger
- Formsmedet



| Art. No. | WLL ton | Jaw opening mm | A mm | B mm | C mm | D mm | E mm | F mm | G mm | Weight kg |
|------------|---------|----------------|------|------|------|------|------|------|------|-----------|
| 07 35 0001 | 0,5 | 0 - 28 | 155 | 76 | 113 | 26 | 92 | 30 | 17 | 0,8 |
| 07 35 0002 | 1,0 | 0 - 30 | 175 | 128 | 200 | 42 | 127 | 46 | 37 | 3,2 |
| 07 35 0003 | 1,5 | 0 - 32 | 187 | 143 | 229 | 42 | 135 | 46 | 45 | 4 |
| 07 35 0004 | 3,0 | 0 - 50 | 224 | 165 | 265 | 49 | 165 | 54 | 50 | 6 |
| 07 35 0005 | 6,0 | 0 - 75 | 241 | 214 | 365 | 63 | 215 | 69 | 80 | 18 |

